

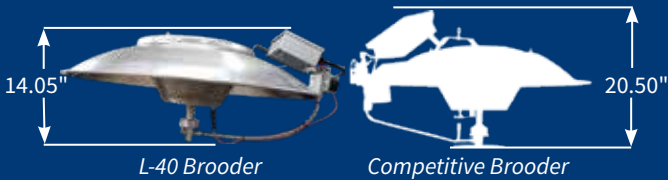
**L.B.WHITE**



**IMPROVED**

## L-40 Low Pressure Radiant Heat Brooders

The best value in high quality, dependable poultry heating.



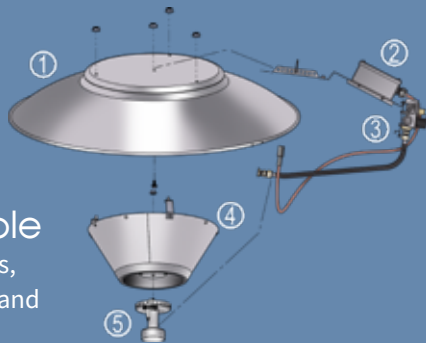
### Low Profile

The L-40 is only 14 inches tall and has a low profile, taking up less room in a house and making it easier to handle and work around.



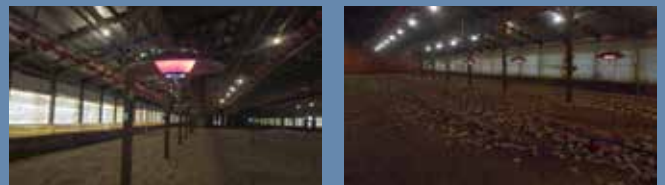
### Plug & Play / Versatile

The L-40 features an On/Off switch and can run using LP or Natural Gas. It can easily replace any competitive unit and integrate with existing house control systems.



### Easy to Assemble

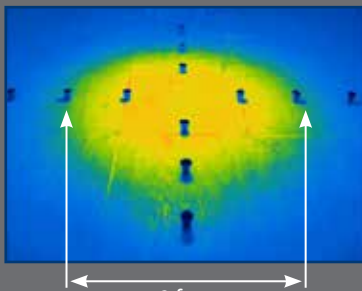
The L-40 is only five parts, making assembly quick and straightforward.



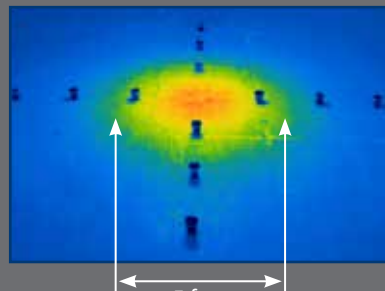
### Withstands Harsh Conditions

The L-40 features:

- Stainless Steel Construction
- Flexible Gas Manifold Tube
- Hardwired Gas Valve
- Sealed Box with Gasket



8 feet  
L-40 Brooder



5 feet  
Competitive Brooder

### Wide, Consistent Heating Area

The L-40 produces a wider, more temperature consistent heat zone than leading competitive low pressure brooders, giving birds more options to find their comfort zone.

Pictures shown at left are taken after 5 minutes in identical lab tests. Typical run time of a brooder after pre-heat is 3 to 5 minutes.

# L-40 Low Pressure Radiant Brooder Specifications

Model Numbers	L-40
Input (Btu/h)	40,000
Heater Configurations Available - Spark Ignition	Yes
Installation Height: (ft.) - Broilers - Turkeys	5 - 6 4.5 - 5.5
Center Spacing (ft.)	25 - 40
Inlet Gas Supply Pressure: - Propane (inches of W.C.) - Natural Gas (inches of W.C.)	11 - 14 7 - 14
Fuel Consumption (max.): - Liquid Propane Gas (lbs/hr) - Natural Gas (cu. ft/hr)	1.85 40.0
Ventilation (CFM)	468
Temperature Controls Available: - Wired to House Environmental Control	Yes
Electrical Requirements: - Spark Ignition	24 VAC / 60HZ
Minimum Clearance to Combustibles (inches) - Top - Side - Below	14 36 54
Dimensions (in.): - Height - Canopy Diameter	14 31.5
Net Weight (lbs.)	14.5
Canopy:	Polished Aluminum
Stainless Steel Radiant Emitter:	S
1/4" x 6' Gas Hose (up to 25 ft.)	O
Regulator (Zone Control Panel):	O
Gas Cock and Piping Hardware:	O
CSA Certified (USA and Canada)	Yes

S=Standard

O=Optional



## Innovative Climate Solutions

411 Mason Street, Onalaska, WI 54650  
800 345 7200 (toll free) or 608 783 5691  
608 783 6115 (fax)  
info@lbwhite.com | www.lbwhite.com

## Your L.B. White Dealer:



© 2019 L.B. White Company  
All rights reserved.  
All specifications are subject  
to change without notice.